



MANIPULATOR

APPLICATION

DKK SERVICES ★

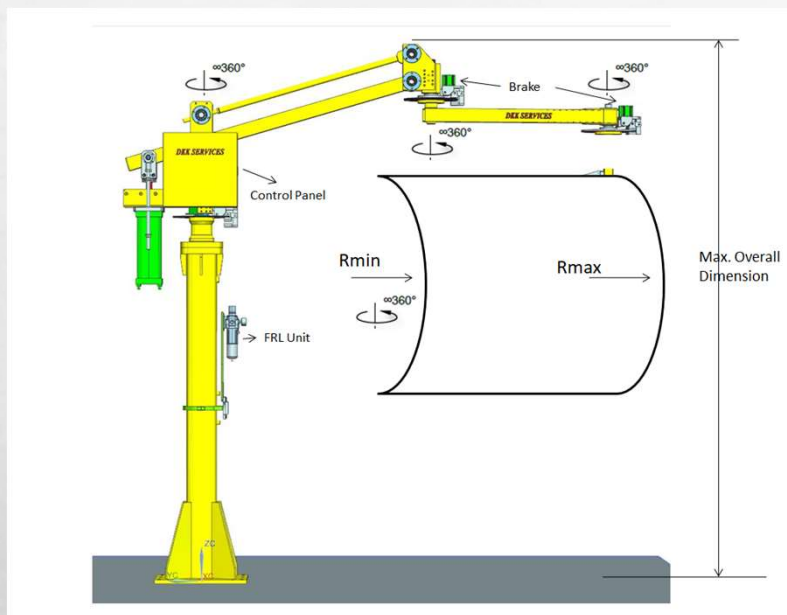


MANIPULATOR MODAL

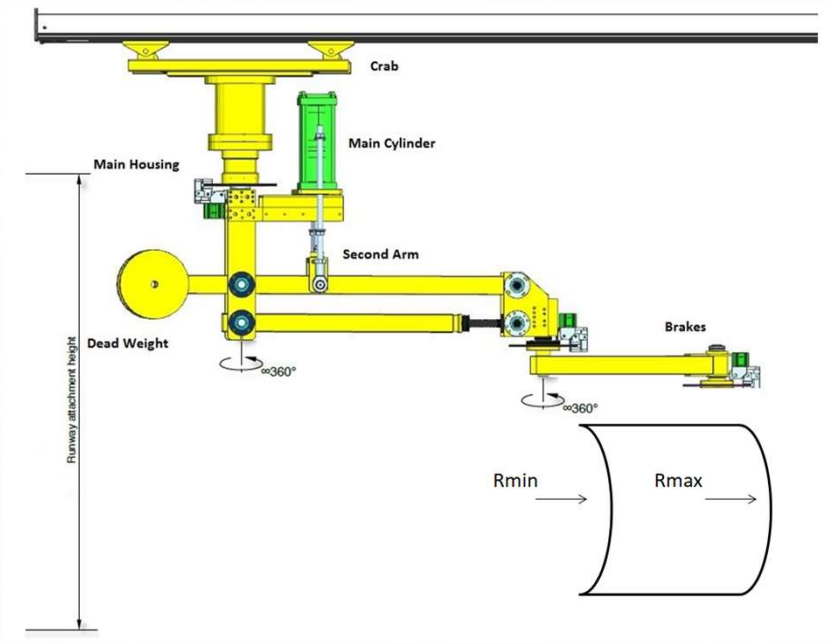
MODAL NO	WEIGHT CAPACITY	MAX ARM LENGTH
DKK M-50	50 KG	3 MTR
DKK M-100	100 KG	3 MTR
DKK M-125	125 KG	3MTR
DKK M-150	150KG	3MTR
DKK M-200	200 KG	3 MTR
DKK M-250	250KG	3MTR
DKK M-350	350KG	3MTR

DKK SERVICES

PILLER TYPER MANIPULATOR



RAIL MOUNTING MANIPULATOR



DKK SERVICES

JOHNDEER TYER LLFTING



DETAILS-

- **Lifting Capacity -200Kg**
- **UP AND DOWN TYPE**
- **Arm Length -3 Mtr**
- **360 Rotation**
- **Brake for arm Rotation**
- **Lifting by Air CYLINDER**
- **Stroke of air Balancer -1.5 mtr**

HEAD AND BLOCK TATA AND HONDA



TATA BLOCK MANIPULATOR



MITSUBHISHI LIFT DOOR APPLICATION



DETAILS-

- **Lifting Capacity -500 Kg**
- **UP AND DOWN TYPE**
- **Arm Length -3.5 Mtr**
- **360 Rotation**
- **Lifting by HOIST**
- **Stroke -3 Mtr**
- **VACCUM GRIPPER**

HONDA . SEAT APPLICATION



DETAILS-

- **Lifting Capacity -50 Kg**
- **ZERO GRAVITY**
- **Arm Length -3 Mtr**
- **360 Rotation**
- **Brake for arm Rotation**
- **Lifting by Air**
- **Stroke of MANIPULATOR -1.5 mtr**

**Gripper – Special Designing by Seat
45 DEG TILTING AND 90 DEG TILTING**

JOHNDEER FLY WHEEL APPLICATION

DETAILS-

- **Lifting Capacity -60 Kg**
- **Up AND DOWN TYPE**
- **Arm Length -3 Mtr**
- **360 Rotation**
- **Brake for arm Rotation**
- **Lifting by Cylinder**
- **Stroke -1000mm**
- **GRIPPER 90 TILTING**



DKK SERVICES

HONDA DASH BORD LIFTING APPLICATION

DETAILS-

- **Lifting Capacity -50 Kg**
- **ZERO GRAVITY**
- **Arm Length -3 Mtr**
- **360 Rotation**
- **Brake for arm Rotation**
- **Lifting by Air**
- **Stroke of MANIPULATOR -1.5 m**

Gripper –INTERNAL GRIPPING

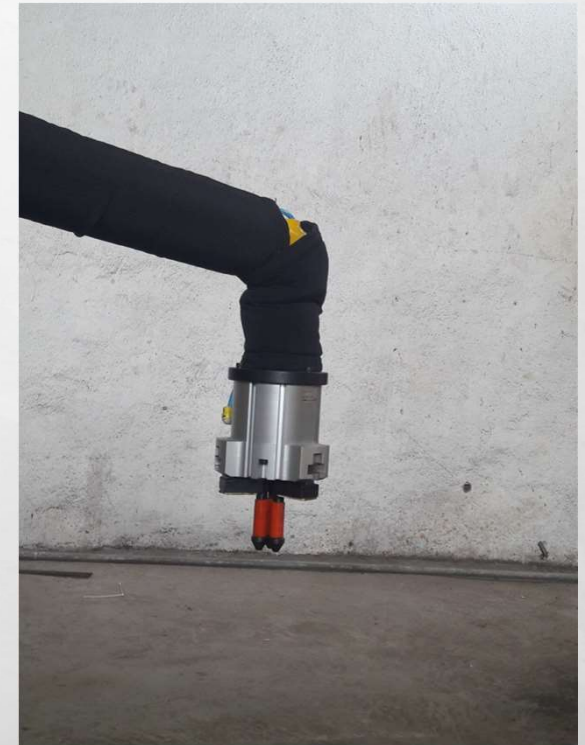


HONDA TYER LIFTING APPLICATION

DETAILS-

- **Lifting Capacity -50 Kg**
- **ZERO GRAVITY**
- **Arm Length -3 Mtr**
- **360 Rotation**
- **Brake for arm Rotation**
- **Lifting by Air**
- **Stroke of MANIPULATOR -1.5 mtr**

Gripper –INTERNAL GRIPPING

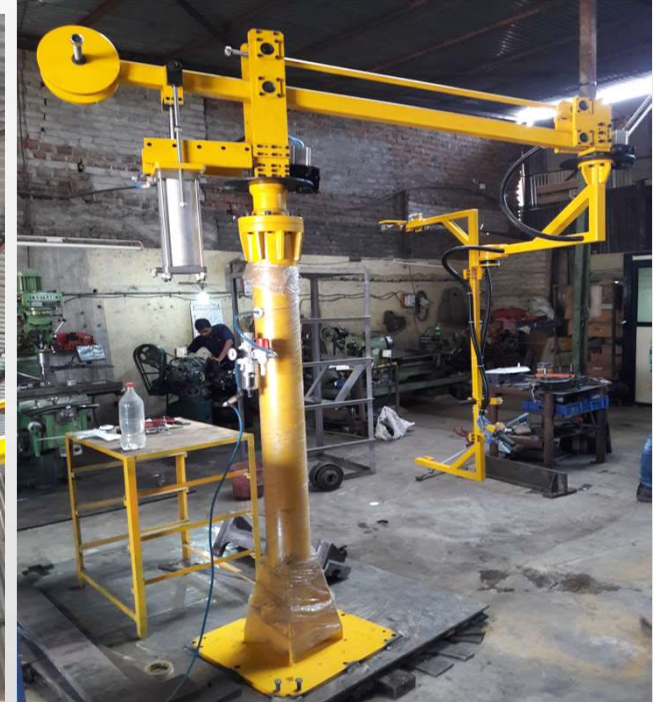
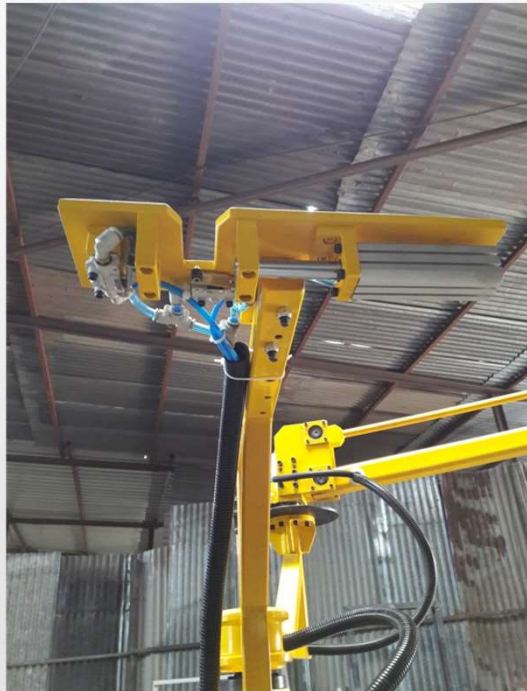


HONDA PANTING APPLICATION

DETAILS-

- **Lifting Capacity -50 Kg**
- **ZERO GRAVITY**
- **Arm Length -3 Mtr**
- **360 Rotation**
- **Brake for arm Rotation**
- **Lifting by Air**
- **Stroke of MANIPULATOR -1.5 mtr**

Gripper –INTERNAL GRIPPING





400 KG MANIPULATOR

- **INVESTMENT
CASTING
APPLICATION**



DKK SERVICES

VALVE HANDLING



BOX LIFTING APPLICATION





PUMP HANDLING



DKK SERVICES

OUR VALVABLE CUSTOMAR

